

E-OPEN

TRI-PROOF LIGHT



PROFESSIONAL

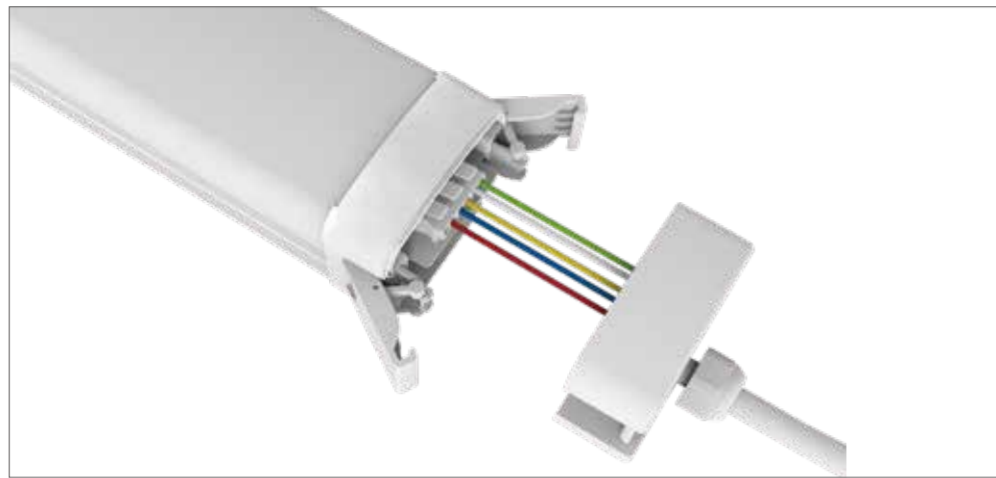
E-Open comes with five-pole – or optional seven-pole – through-wiring and is DC-enabled. Particularly resistant and high-quality materials make this moisture-proof luminaire exceptionally robust.

DIFFERENT

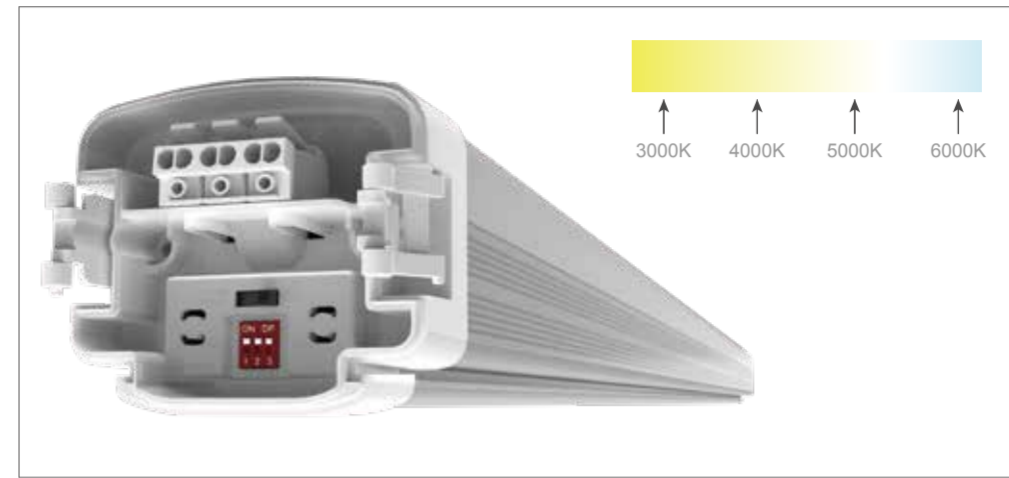
With its highly efficient features and innovative housing, the time and effort needed to replace older luminaires with E-Open is minimal. Cables are easily and conveniently mounted on either side with open cap fastener.

● Features

Open without Tools



Tri color



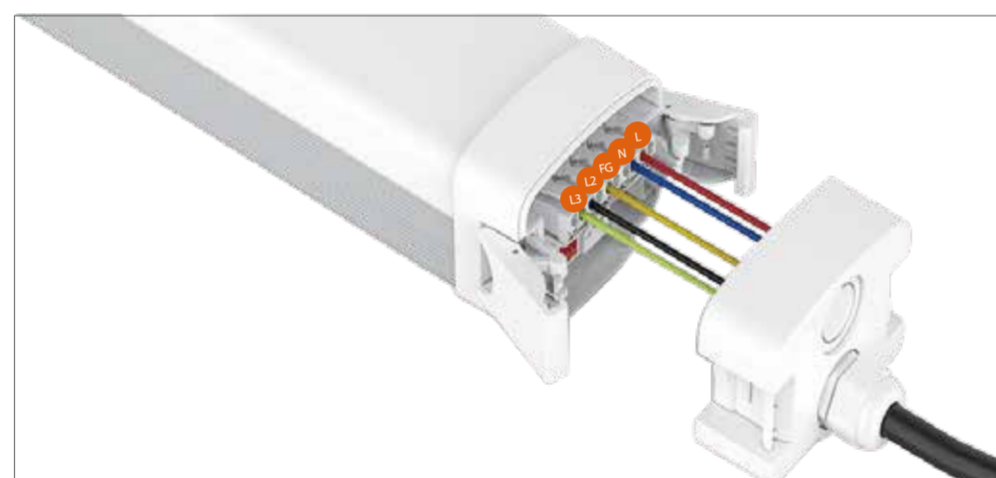
Assorted Ceiling Mounting



Rotatable Ceiling Mounting



5*2.5mm² wires



80W 11200LM



PIR Sensor



Linkable



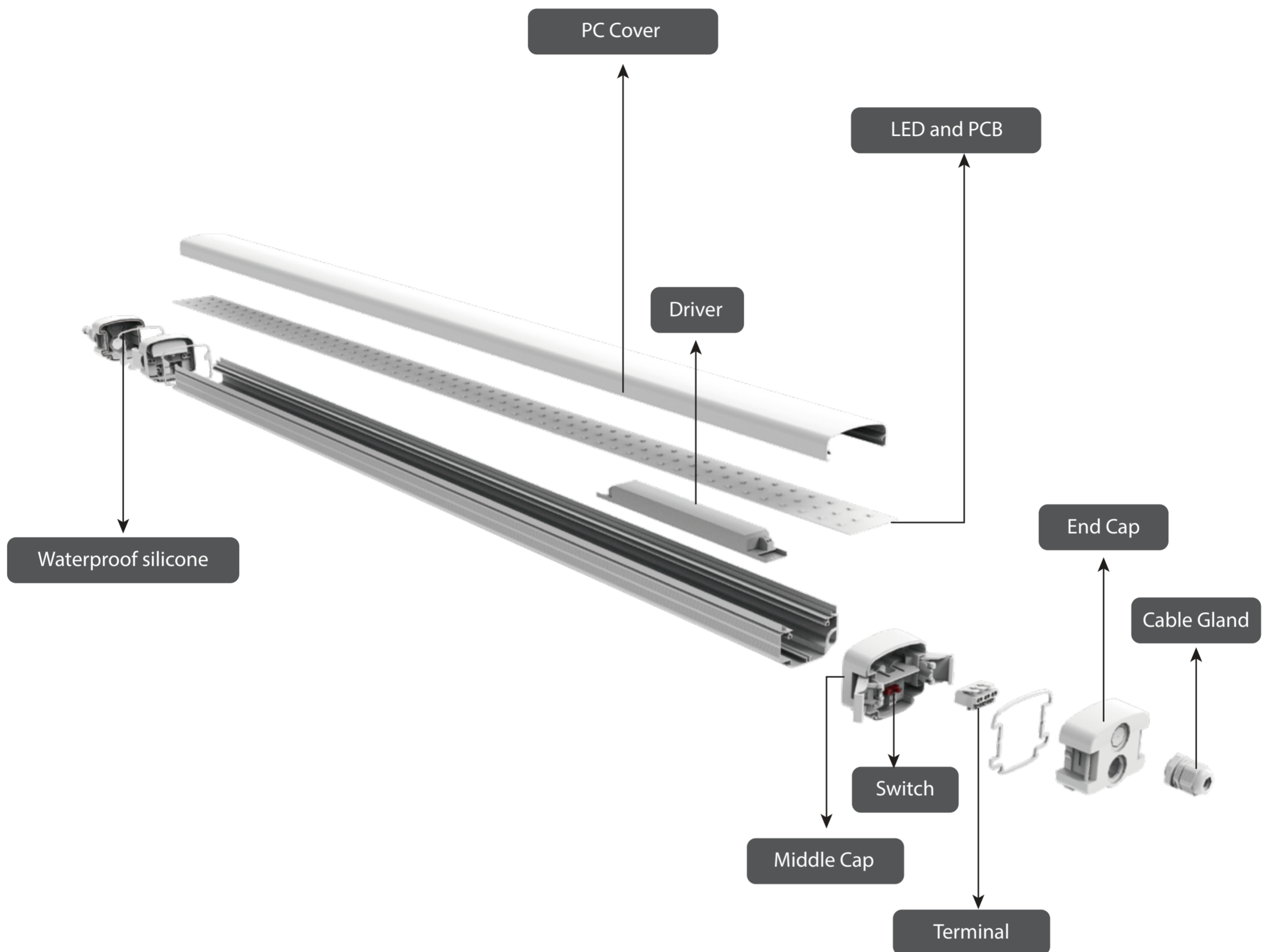
● Application

Tunnel / Corridor / Gallery / Railway / Bus / MTR Station / Warehouse / Factory / Airport / Exhibition Hall / Supermarket / Gas station

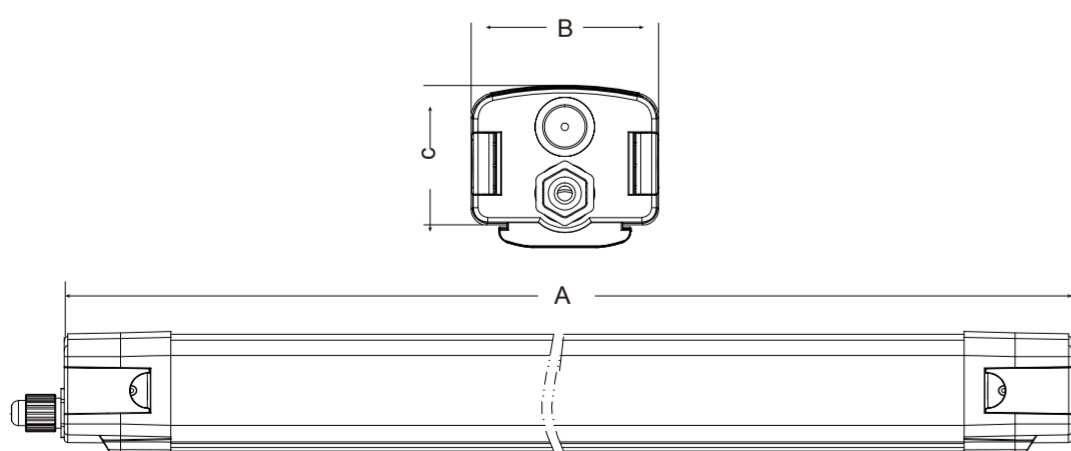
The new generation of led tri-proof light with Tridonic Driver has higher-quality and better performance. Its LEDs and drivers provide higher efficacy and greater energy savings. The IP66-rated fixtures are designed to replace less-efficient fluorescent strip lights in car wash operations, airports, tunnels, maintenance areas, parking garages and stairwells.



● Explosion Drawing

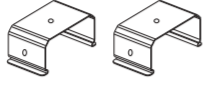




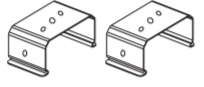
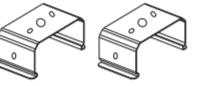



● Dimension(mm)



Model NO.	Size A(mm)	Size B(mm)	Size C(mm)
T01 600mm	2FT(600mm)	84	63
T01 1200mm	4FT(1200mm)	84	63
T01 1500mm	5FT(1500mm)	84	63
T01 1800mm	6FT(1800mm)	84	63
T01 2400mm	8FT(2400mm)	84	63

● Accessory part

Accessories	Image	Designation	Description	Quantity
Standard		Metal bracket	M4 Screw Hole	2PCS
Standard		Screw	4X20mm	8PCS
Standard		Protection cap	Protection cap	1PCS
Optional		Suspension kits	2m Length	2PCS
Optional		Extra Cable Gland	M20	1PCS
Optional		Metal bracket	M6 Screw Hole	2PCS
Optional		Metal bracket	M10 Screw Hole	2PCS
Optional		Metal bracket	Rotatable	2PCS

● Technical / Electrical Characters

Length	Product Code	Power	Lumen	Luminous efficacy	Input Voltage	CCT	Function
600mm	T012D-20	20W	2200LM	120LM/W	AC 220-240V	3000k 4000k 5000k 6000k or Tri-color 3000-4000-5000K 3000-4500-6000K 4000-5000-6000K	Non-dimming 1-10V DALI Emergency PIR Sensor Microwave Sensor
	T012D-30	30W	3400LM				
1200mm	T014D-40	40W	4800LM				
	T014D-50-TC	50W can adjust 46W/42W/36W	Max 6000LM				
1500mm	T015D-40	40W	4800LM				
	T015D-60	60W	7200LM				
	T015D-60-TC	60W can adjust 55W /50W /40W	Max 7200LM				

Length	Product Code	Power	Lumen	Luminous efficacy	Input Voltage	CCT	Function
600mm	T012S-20	20W	2200LM	140LM/W	AC 220-240V	3000k 4000k 5000k 6000k or Tri-color 3000-4000-5000K 3000-4500-6000K 4000-5000-6000K	Non-dimming 1-10V DALI Emergency PIR Sensor Microwave Sensor
	T012S-30	30W	3400LM				
1200mm	T014S-40	40W	4800LM				
	T014S-50-TC	50W can adjust 46W/42W/36W	Max 6000LM				
1500mm	T015S-40	40W	5600LM				
	T015S-60	60W	8400LM				
	T015S-60-TC	60W can adjust 55W /50W /40W	Max 8400LM				
	T015S-80	80W	11000LM				

● Function

CCT / Wattage Setting

CCT Setting(Optional)

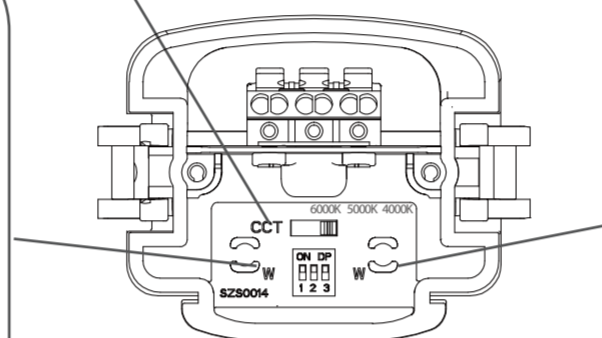
Before use, always check CCT setting:

Option 1:	6000K	5000K	4000K
Option 2:	5000K	4000K	3000K
Option 3:	6000K	4500K	3000K

1.5m led tri-proof light

Before use, always check dipswitch setting :

1	2	3	Power(W)
-	-	-	60
ON	-	-	55
-	ON	-	50
-	-	ON	40

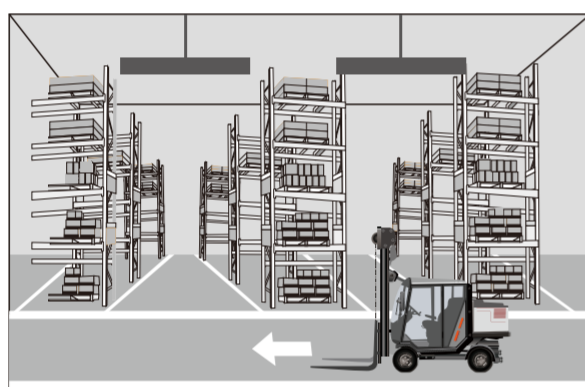


1.2m led tri-proof light

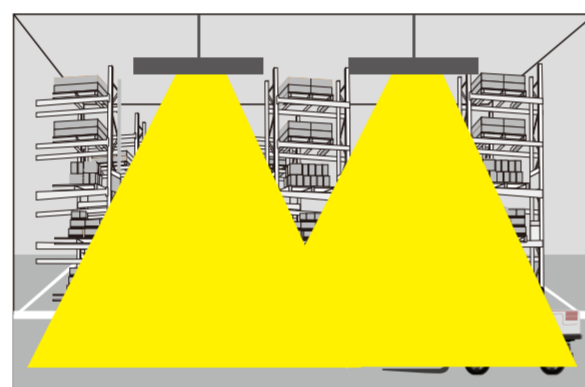
Before use, always check dipswitch setting :

1	2	3	Power(W)
-	-	-	50
ON	-	-	46
-	ON	-	42
-	-	ON	36

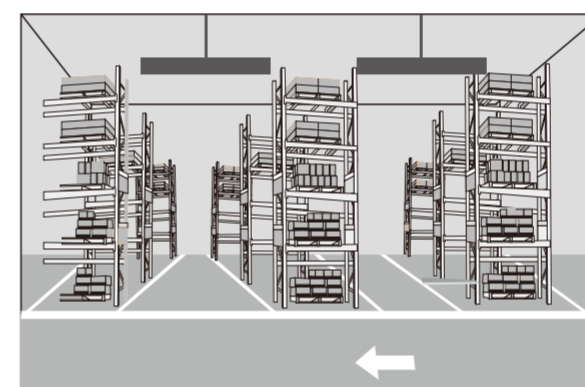
Microwave Sensor



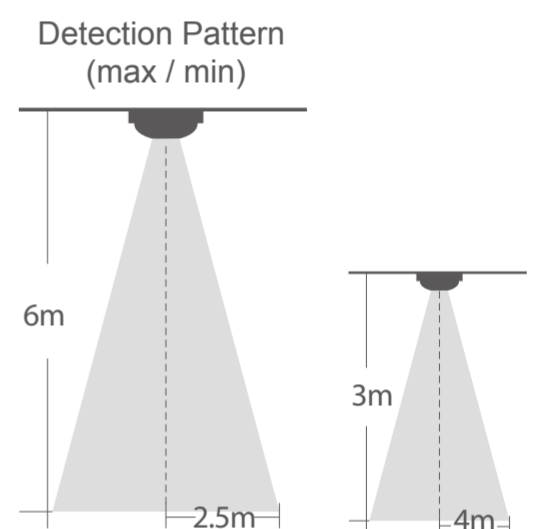
With sufficient light, the lamp doesn't switch on.



With insufficient ambient light, the sensor switches on the lamp when motion is detected



After hold time, the sensor switches off the lamp when no motion is detected



Sensitivity	Hold-time	Daylight sensor	Detection range
10%/50%/75%/100%	5s/90s/5min/15min	2lux/10lux/50lux,disable	Max x10m x 6m

PIR Sensor



Walk towards

Height	Range Diameter
7m	10m
2.8m	5m

Walk towards

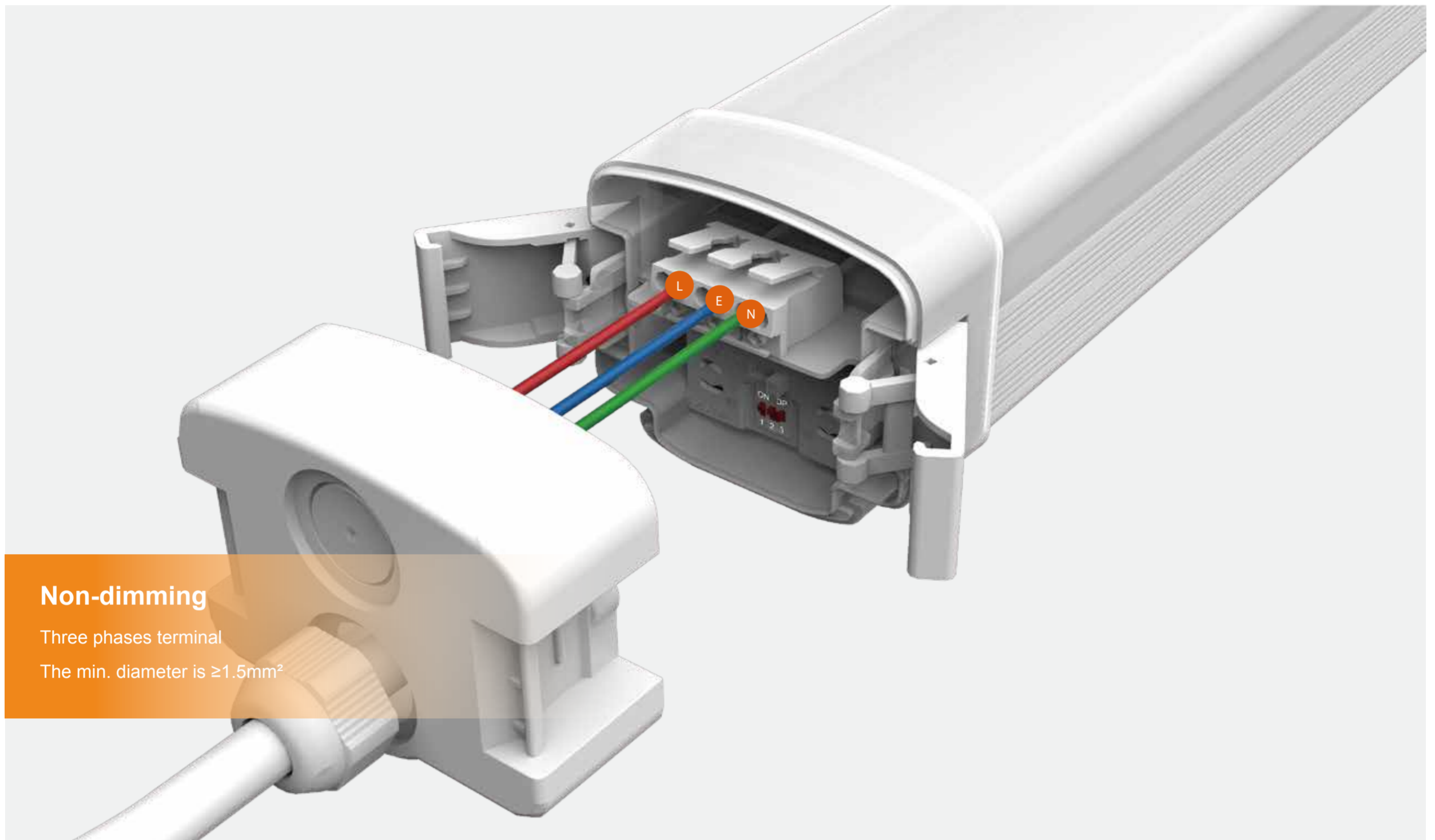
Height	Range Diameter
7m	10m
2.8m	5m

Function	Hold-time	THD	Driver life-time
ON/OFF 1-10V	10s/90s/5min/10min/15min 20min/30min/60min	10-2000lux or daylight threshold	Max x10m x 6m

Emergency

Emergency power	Emergency times	Emergency lumen	Battery
4W	3hours	500LM	Life po4 6.4V 3.0ah

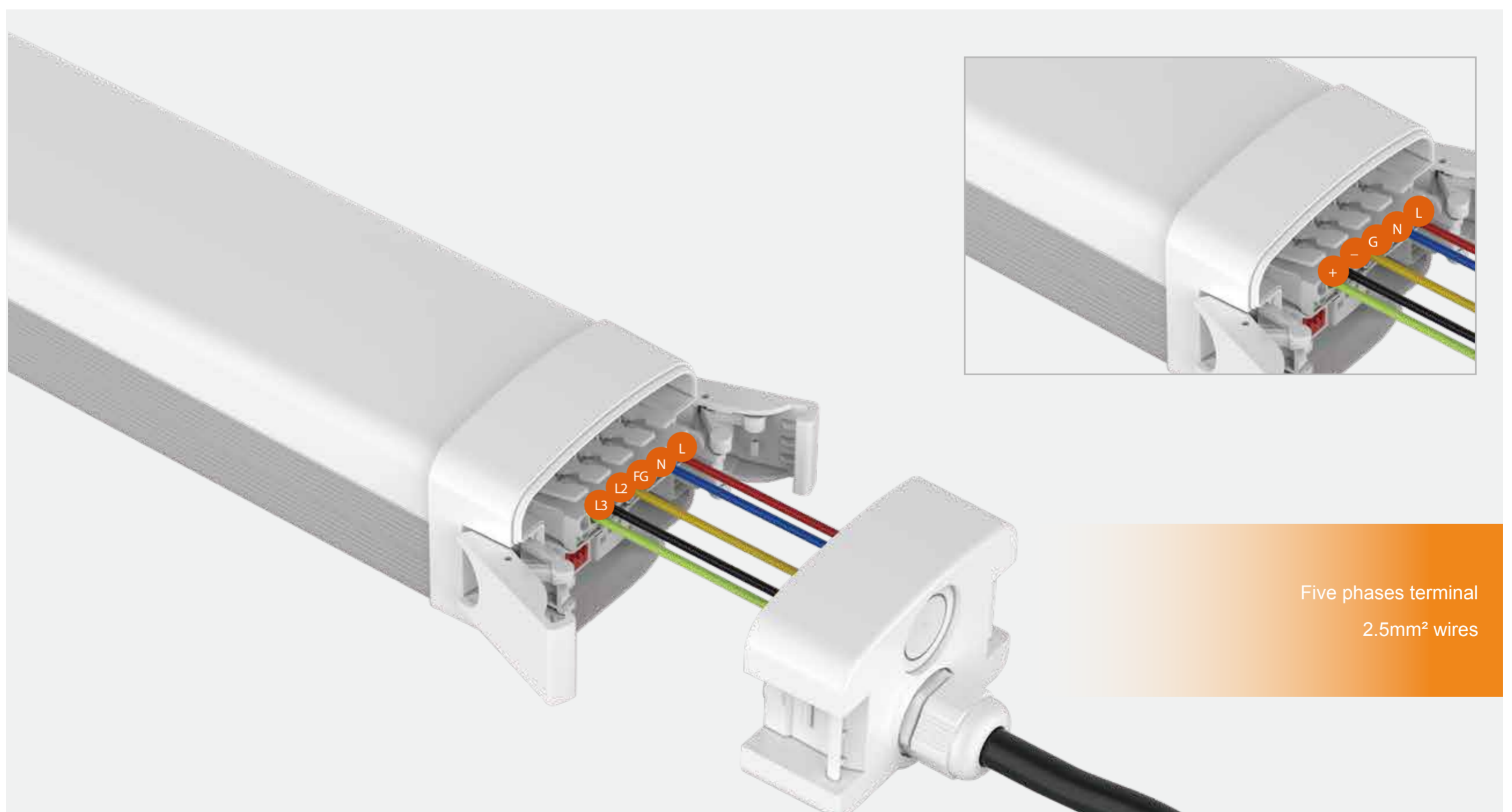
● Wiring Method



Non-dimming

Three phases terminal

The min. diameter is $\geq 1.5\text{mm}^2$

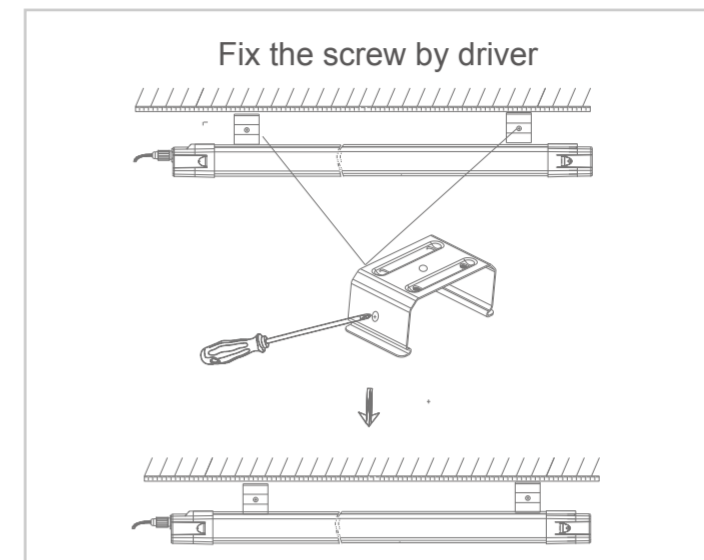
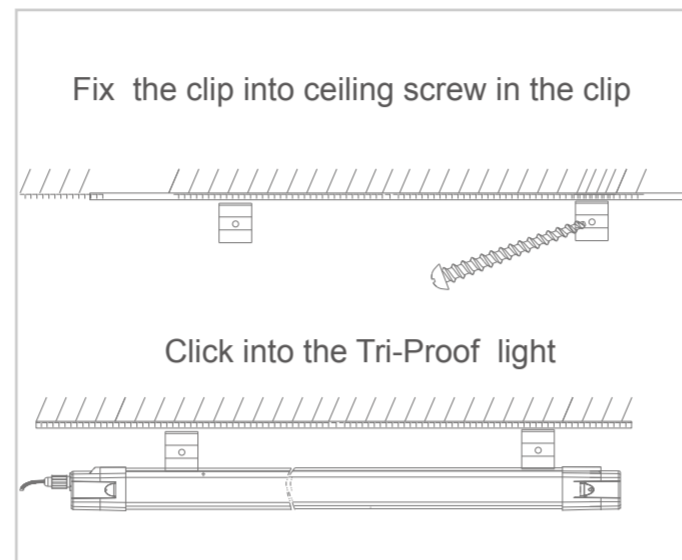
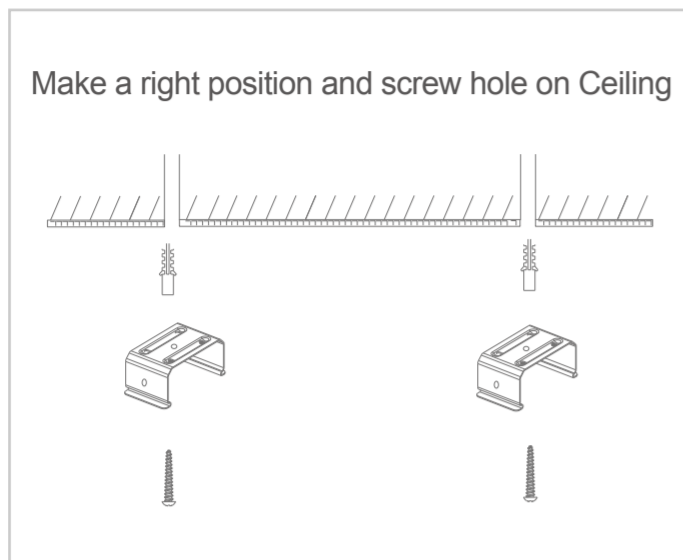


Five phases terminal

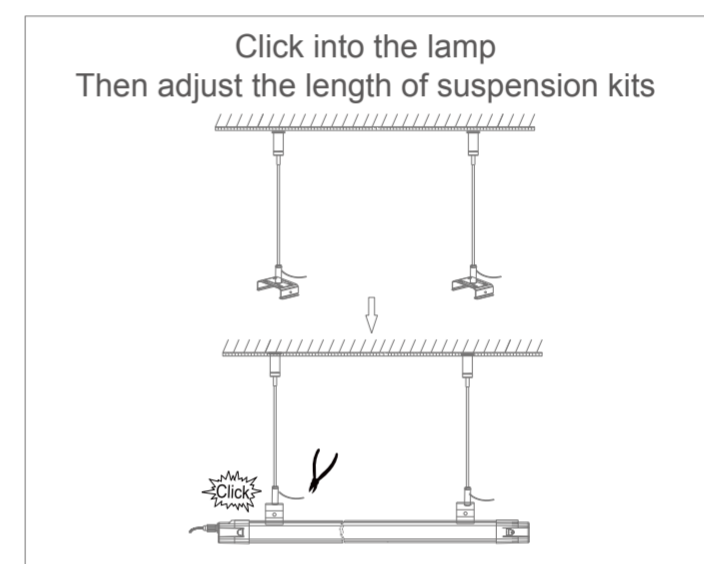
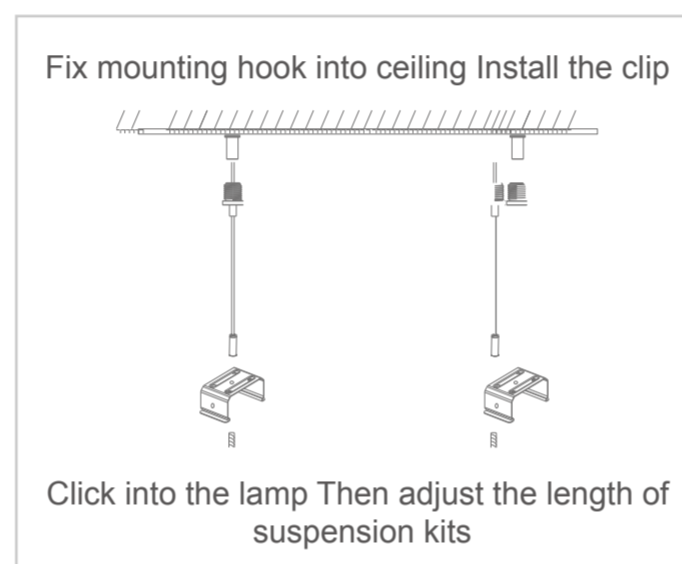
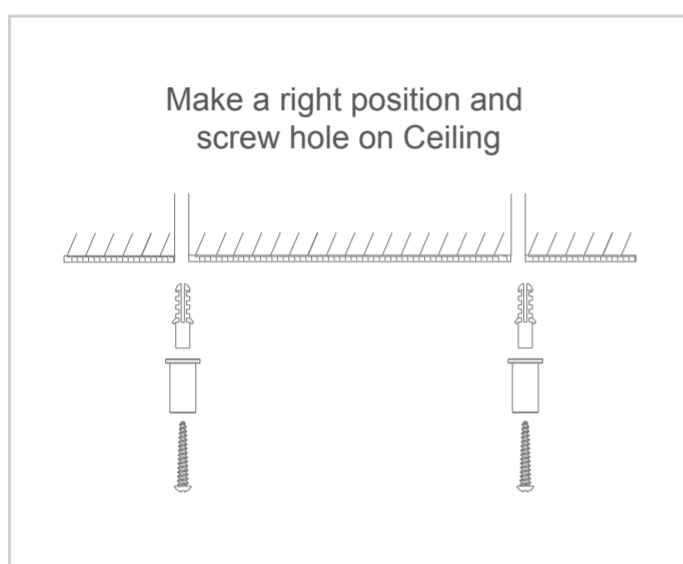
2.5mm² wires

● Installation

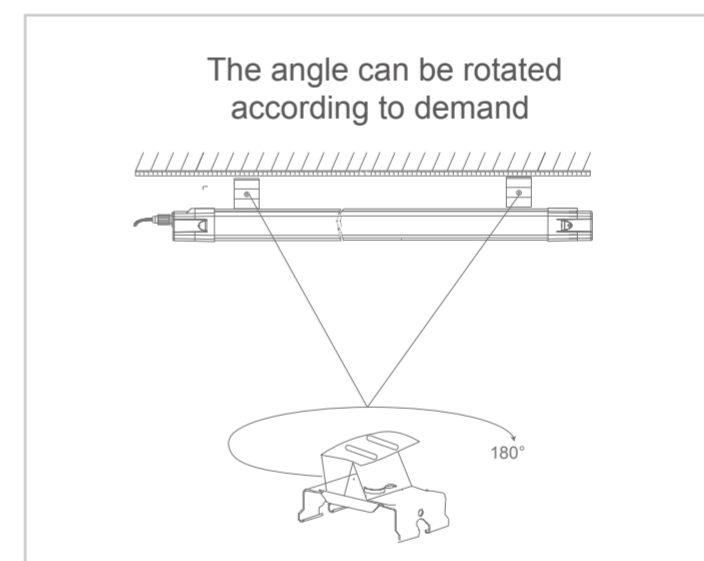
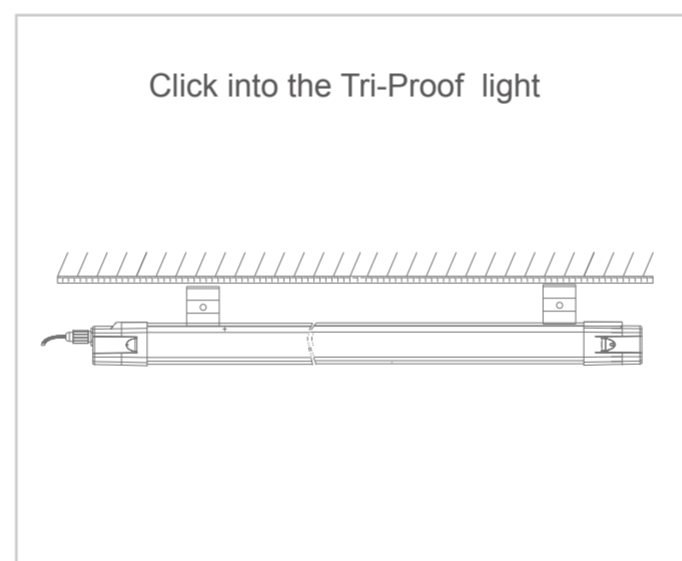
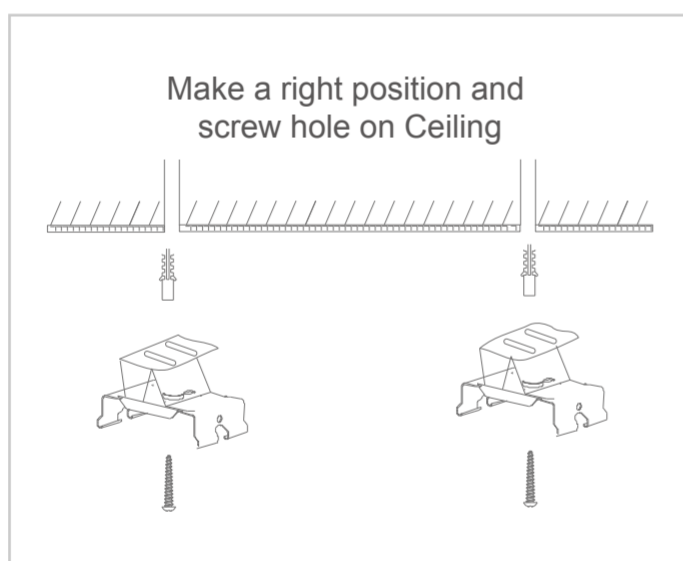
Ceiling Mounted



Suspension

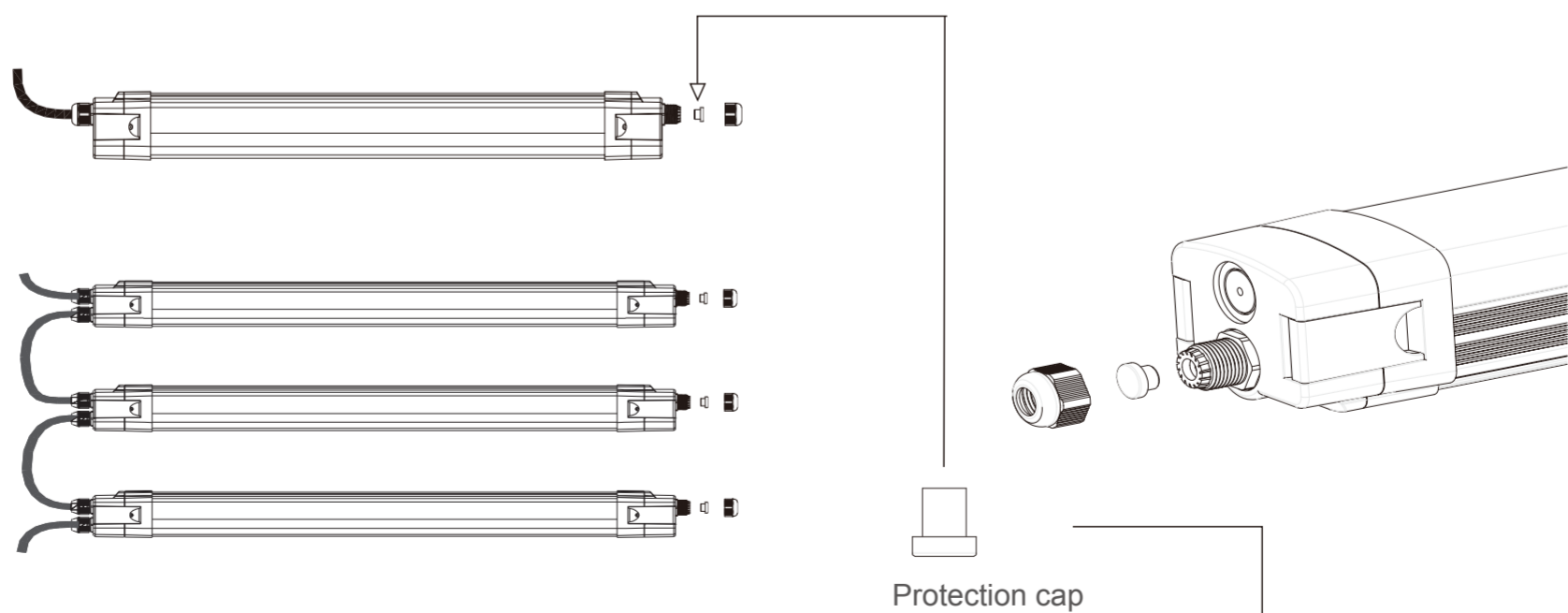


Rotatable Ceiling Mounting



Single Wired

Option 1:



Option 2:



Protection cap

Linkable (Double Wired)



How many LED fixtures we could connect on one line

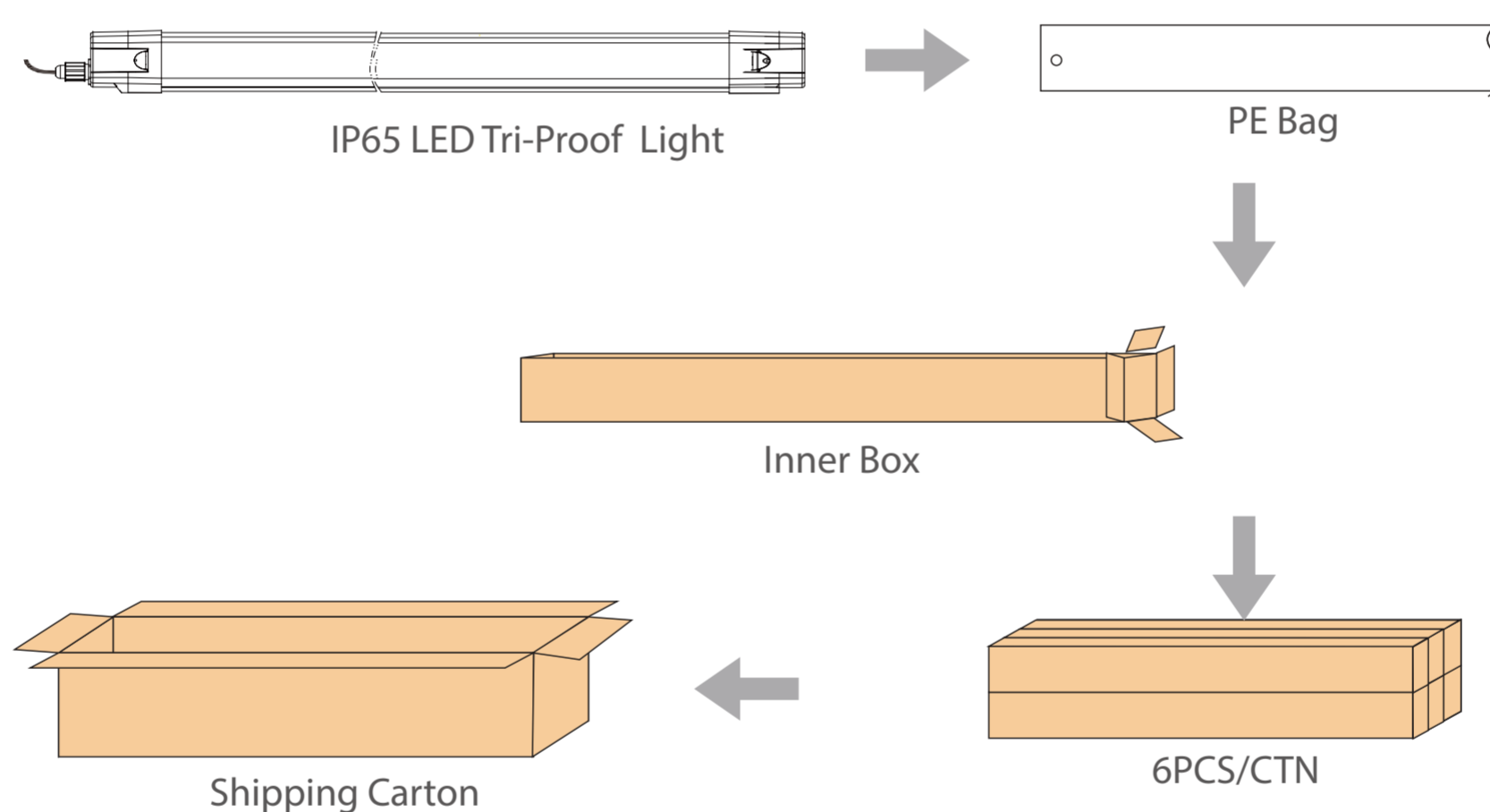
Input Voltage	Max Qty
230VAC/20W	36
230VAC/30W	24

Input Voltage	Max Qty
230VAC/40W	18
230VAC/50W	15

Input Voltage	Max Qty
230VAC/60W	12
230VAC/80W	9

● Package

Length	Single Box	Outer Carton	Qty/Carton	Unit N.W	G.W/Carton
600mm	1Pcs	730 x 280 x 180mm	6Pcs	1350g	10Kg
1200mm	1Pcs	1320 x 280 x 180mm	6Pcs	2450g	14Kg
1500mm	1Pcs	1630 x 280 x 180mm	6Pcs	3250g	17Kg
1800mm	1Pcs	1930 x 270 x 210mm	6Pcs	3550g	22Kg
2400mm	1Pcs	2530 x 280 x 180mm	6Pcs	4950g	30Kg
1500mm	1Pcs	1630 x 120 x 120mm	1Pcs	3250g	3.4kg



! Caution

- ※ In case of electric shock, please make sure the power is off before installation.
- ※ The lamp should be installed and operated by a qualified electrician or technician in accordance with relevant local codes.
- ※ Do not use sharp tools near or on the surface of the lamp.
- ※ Unpack and examine the product carefully. Report any damage and save all packing materials if any portion of the product was damaged during transportation.

● Statement

According to the International Standard of LED luminaire, here Cyanlux formally claims that CYANLUX LED Tri-proof (Weather proof) series products is only allowed to be applied to indoor or semi-outdoor neutral environment. Meanwhile Cyanlux promises full warranty for the products.

Any severe environment application including high/low temperature, high humidity, high salinity, high-ammonia etc..is not permitted without the official confirmation from the manufacturer. If any misapplication happens, the warranty policy is no longer guaranteed